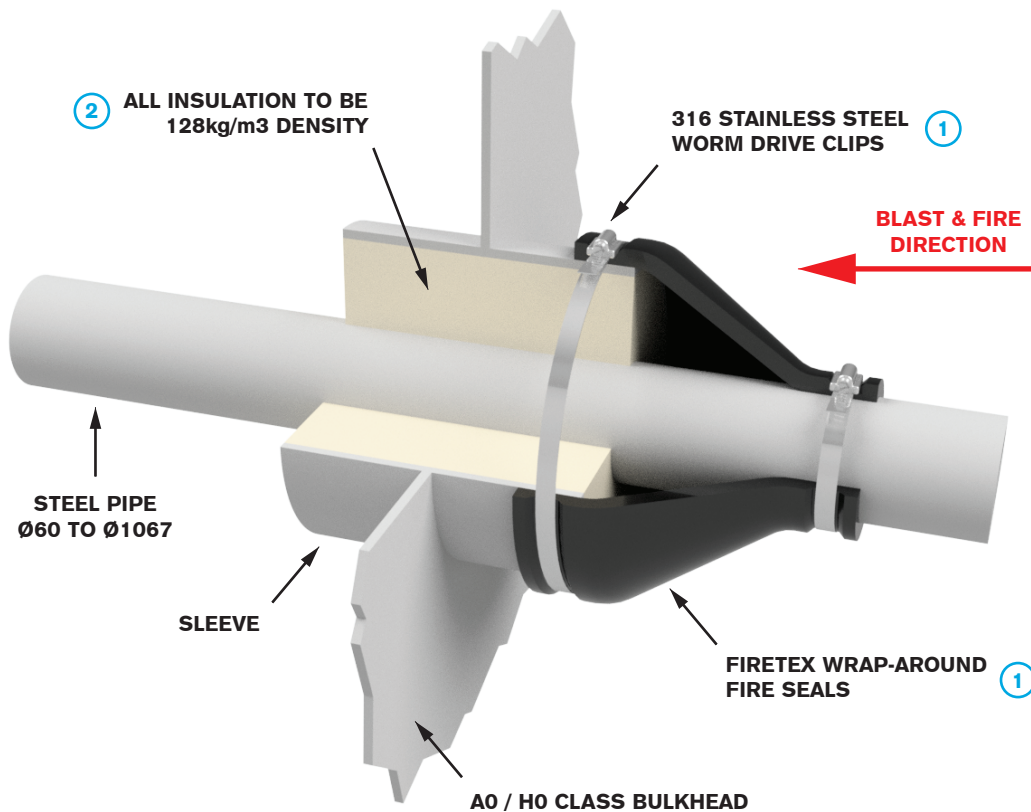


Insulation Requirements for Firetex Single Sided Wrap Around A0 / H0 Rated Pipe Penetration Seals



www.mclunitex.com

- ① PROVIDED BY MCL UNITEX LTD.
- ② CAN BE PROVIDED ON SPECIAL REQUEST

Specification

Certification:	A0 and H0 Lloyds Register of Shipping, Certificate No. SAS F150134/M1. Blast over-pressure to 1.35 bar g, Lloyds Register of Shipping Certificate No. LWT 401087/1 (Approvals are also held through other Certifying Authorities, details of which are available upon request).
Insulation:	Insulation to be installed as shown.
Movement:	Standard seal construction will accommodate +/- 25mm in any plane.
Installation:	Each seal is supplied with installation instructions, sealant and stainless steel worm drive clips.
Location:	Seals to be installed on the hazard side of the penetration.